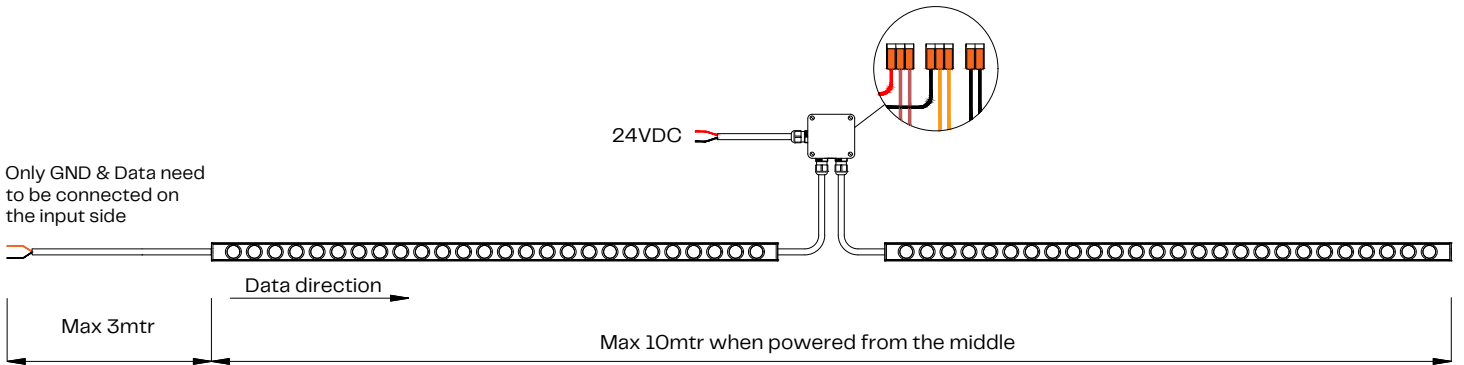
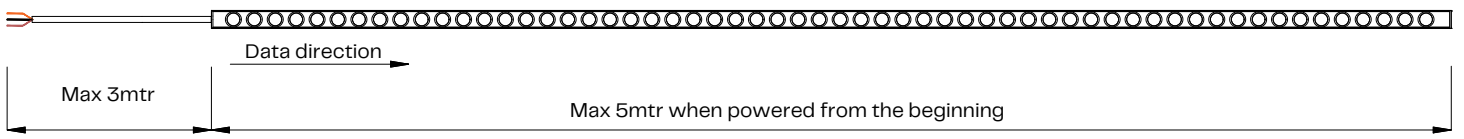
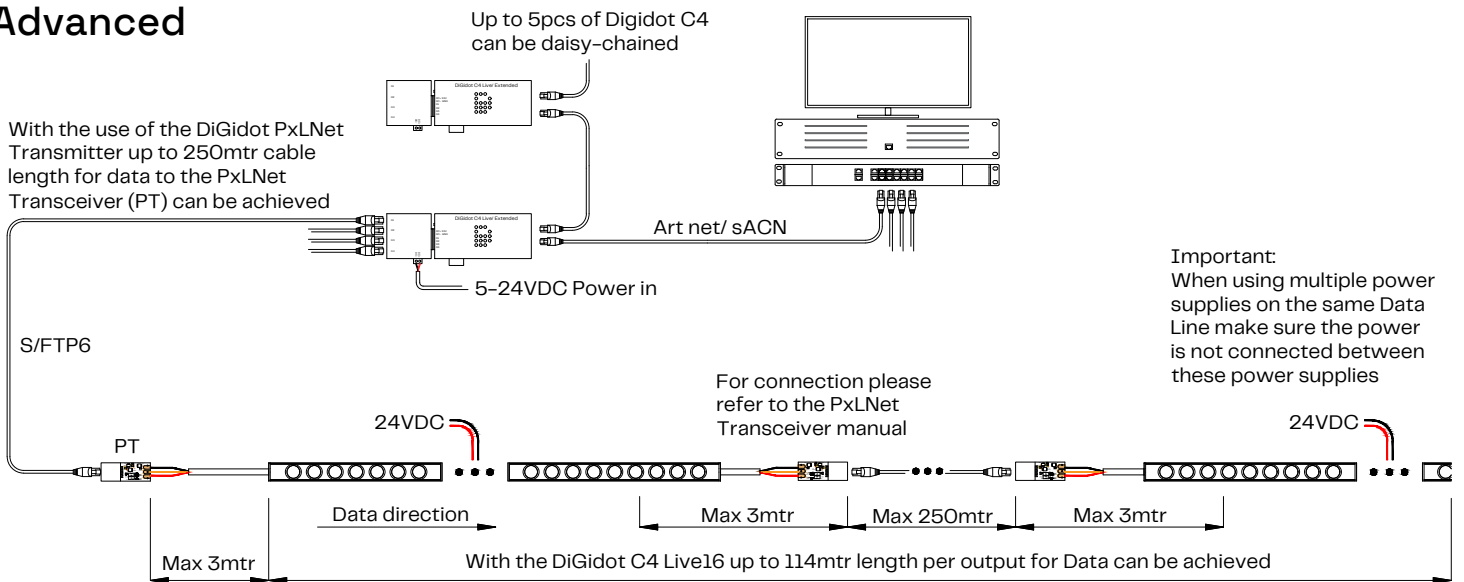


Basic

| Cable connection | |
|------------------|--------|
| Yellow | GND |
| White | SPI |
| Brown | +24VDC |



Advanced



Disclaimer

Due to the technical evolution and improvement of our products, the data provided in this document may be updated on a regular basis, and as such, confirmation of this information is strongly recommended prior to the order process. OneEightyOne is not responsible for any discrepancies in this document following changes in our products. We reserve the right to make technical changes to our products and to change information, at its sole discretion, without notice.