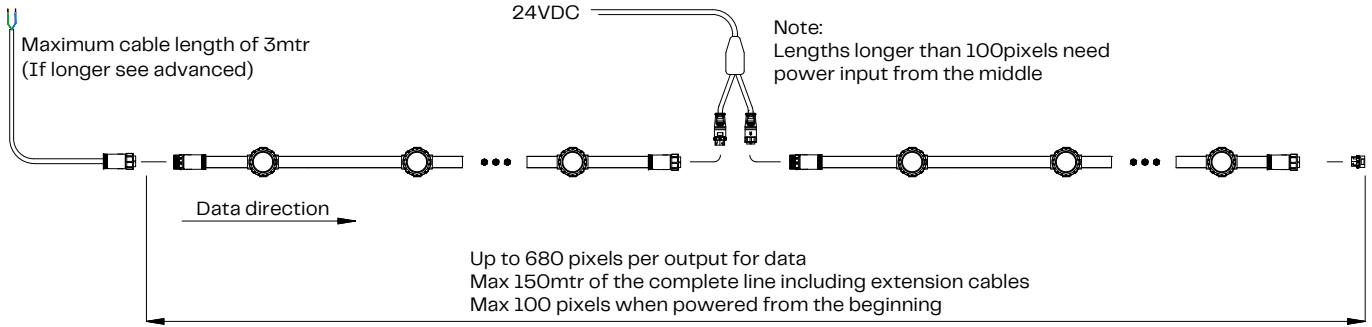


DiGi Module XT6

Basic

Green	Data In
Blue	GND

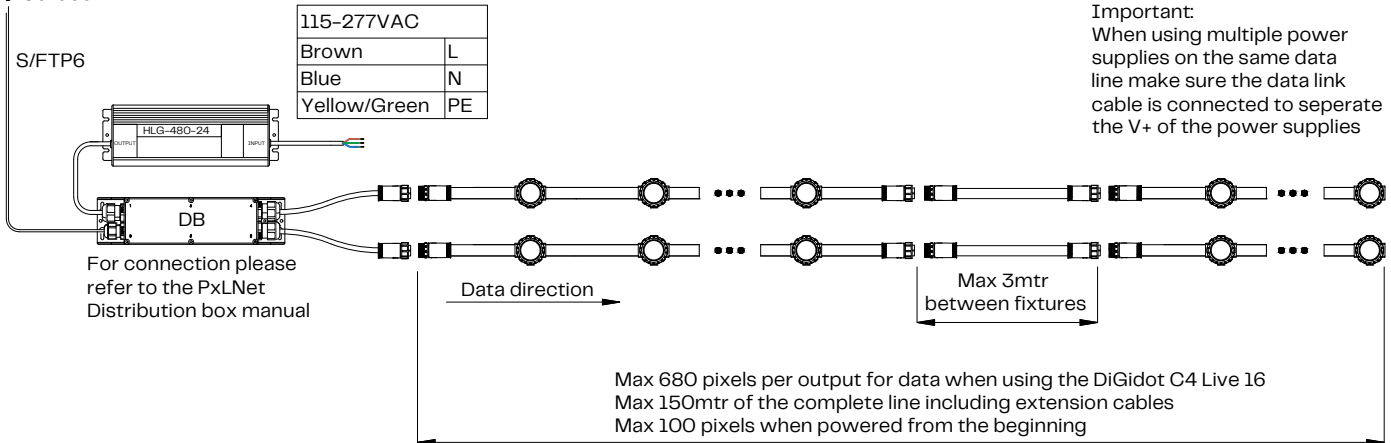
Brown	+24V
Blue	-24V



Advanced

With the use of the DiGidot PxLNet Node up to 250mtr cable length for data to the PxLNet distribution box (DB) can be achieved

- Indoor
- Outdoor



Disclaimer

Due to the technical evolution and improvement of our products, the data provided in this document may be updated on a regular basis, and as such, confirmation of this information is strongly recommended prior to the order process. OneEightyOne is not responsible for any discrepancies in this document following changes in our products. We reserve the right to make technical changes to our products and to change information, at its sole discretion, without notice.