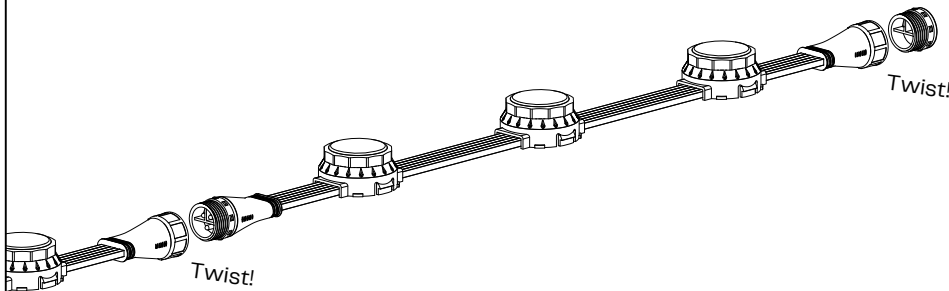
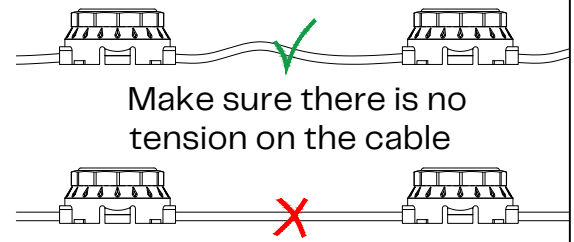


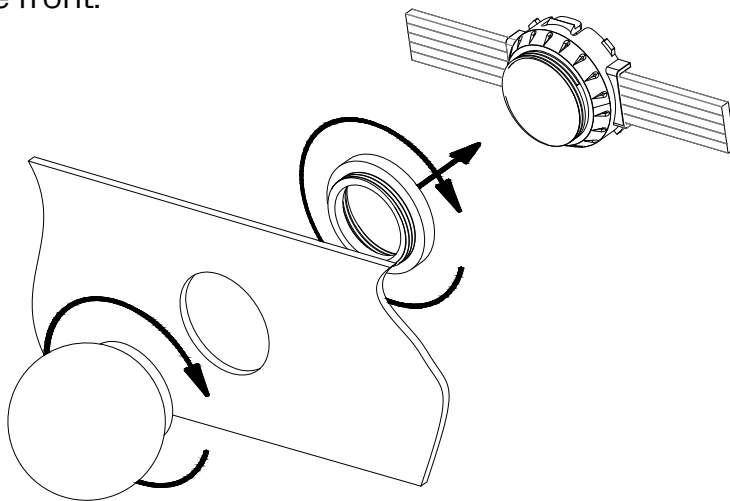
Important:

- Make sure power is disconnected during installation or maintenance
- Do not attempt installation in wet or severe weather conditions
- Keep cables protected from sharp objects to prevent damage
- Make sure unconnected fixtures are not exposed to raining/ snowing environment

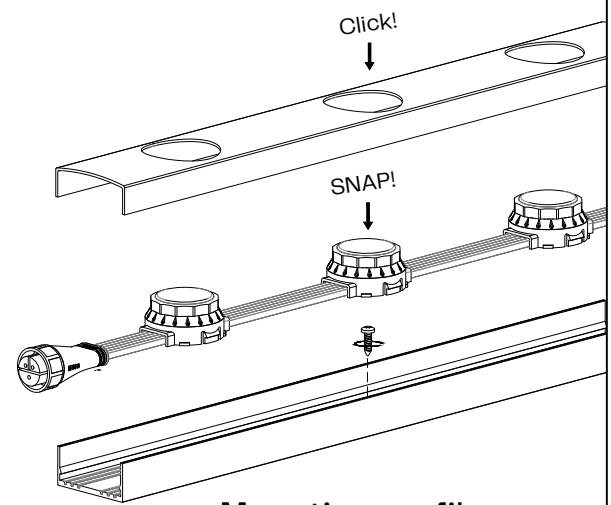


For waterproof connection make sure that the last fixture has the endcap connector fixed to the last output connector

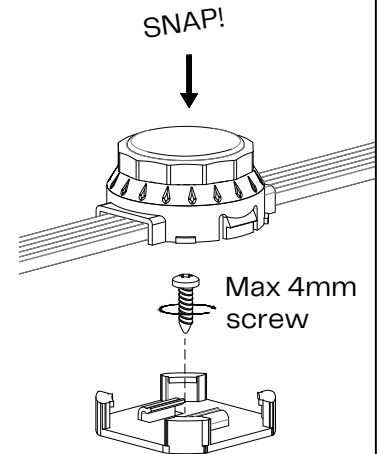
When the XT modules will be mounted into panels make sure the Panel ring is fixed between the module and the backside of the panel. The Globe, Turbo or Tube cover can be fixed from the front.



Panel mount



Mounting profile



Mounting clip

Disclaimer

Due to the technical evolution and improvement of our products, the data provided in this document may be updated on a regular basis, and as such, confirmation of this information is strongly recommended prior to the order process. OneEightyOne is not responsible for any discrepancies in this document following changes in our products. We reserve the right to make technical changes to our products and to change information, at its sole discretion, without notice.